

# InLane 300 DEPO

FRONT OFFICE SOLUTION



# InLane

## IN THE FRONT LINE WITHOUT RISKS



CIMA S.p.A. Via di Mezzo 2-4 - 41037 Mirandola MODENA - Italy  
[www.cimaspa.it](http://www.cimaspa.it)



**CIMA**  
WHEREVER YOU COUNT

# InLane300DEPO

## FRONT OFFICE SOLUTION

# InLane300DEPO

## FRONT OFFICE SOLUTION

InLane is a CIMA solution for front-end automated cash desk. This modular line has a compact and elegant design, and consists of InLane 300, InLane 300 depo, InLane Kiosk. InLane 300 DEPO accepts, authenticate and stores banknotes and coins very rapidly. It features 3 RSM with a capacity up to 100 notes each, 8 coin hoppers and an overflow cassette up to 350 banknotes.

InLane300 DEPO combines the features of the InLane300 with an 8mm safe that allows the storage of 1,500 additional notes into a bag placed in the device safe, and up to 18 kg of coins into a second bag. Both bags can be collected by the CIT. Thanks to the high storage capacity, it adapts to any market needs, from small store size to supermarket & hypermarkets.

InLane300 DEPO can be connected via software to CIMA's back office devices.



- Automated cash handling
- Elimination of the risk of errors or shortages
- Increased productivity due to time recovery
- Increased customer satisfaction
- Maximum hygiene: the staff does not touch the cash
- Easy to combine with the store design
- High-level recognition validator
- User-friendly
- High recycling capacity
- Connection with CIT companies
- Easy to integrate with every cash management system
- Controlled remotely
- CIMA's back-office software integration



### TECHNICAL FEATURES

#### NOTES

- Total capacity 3 RSM x 100 notes each, 350 notes capacity in the cassette and 1,500 in the canvas bag
- Acceptance speed: 2 notes/sec
- Withdrawal speed: 3 notes/sec
- Inlet capacity: 15 notes in bundle
- Outlet capacity: 10 notes in bundle
- Total number of RSMs: 3
- RSM configurations are configurable
- Multi-currency supported

#### COINS

- Total capacity: 3310 coins (EUR) and 18 Kgs in the canvas bag
- Input speed: 10 coins/sec
- Output speed: 6 coins/sec
- Hopper: up to 8
- Standard coin configuration: 730x0,01€; 650x0,02€; 420x0,05€; 500x0,10€; 320x0,20€; 220x0,50€; 270x1€; 200x2€
- Hoppers configuration can't be changed
- Other currencies available (the capacity may vary)

#### FEATURES

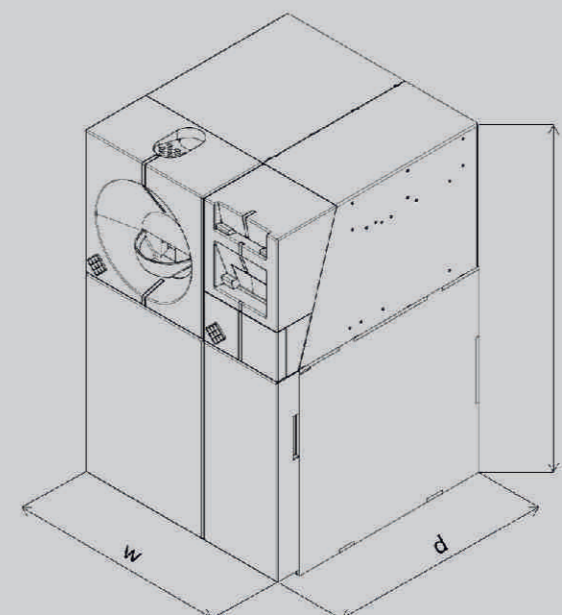
- "Follow me" LED sign
- Shutter on the in/outlets
- Notes withdrawal and coin withdrawal through separate slots
- Coin module able to detect foreign items
- able to detect foreign items
- Manageable through C-link software platform

#### POWER SOURCE

- Voltage: 100V-240V AC
- Frequency: 50Hz-60Hz

#### INTERFACE

- 1 ethernet access



#### DIMENSIONS

- NOTE MODULE  
W 200mm x D 550mm x H 820 mm
  - COIN MODULE  
W 320mm x D 550mm x H 820 mm
- Dimensions may vary according to the type of safe in use.

#### WEIGHT

TOTAL WEIGHT: 178 kg

#### OPTIONALS

- Touch pc
- Xfs driver
- Plinth